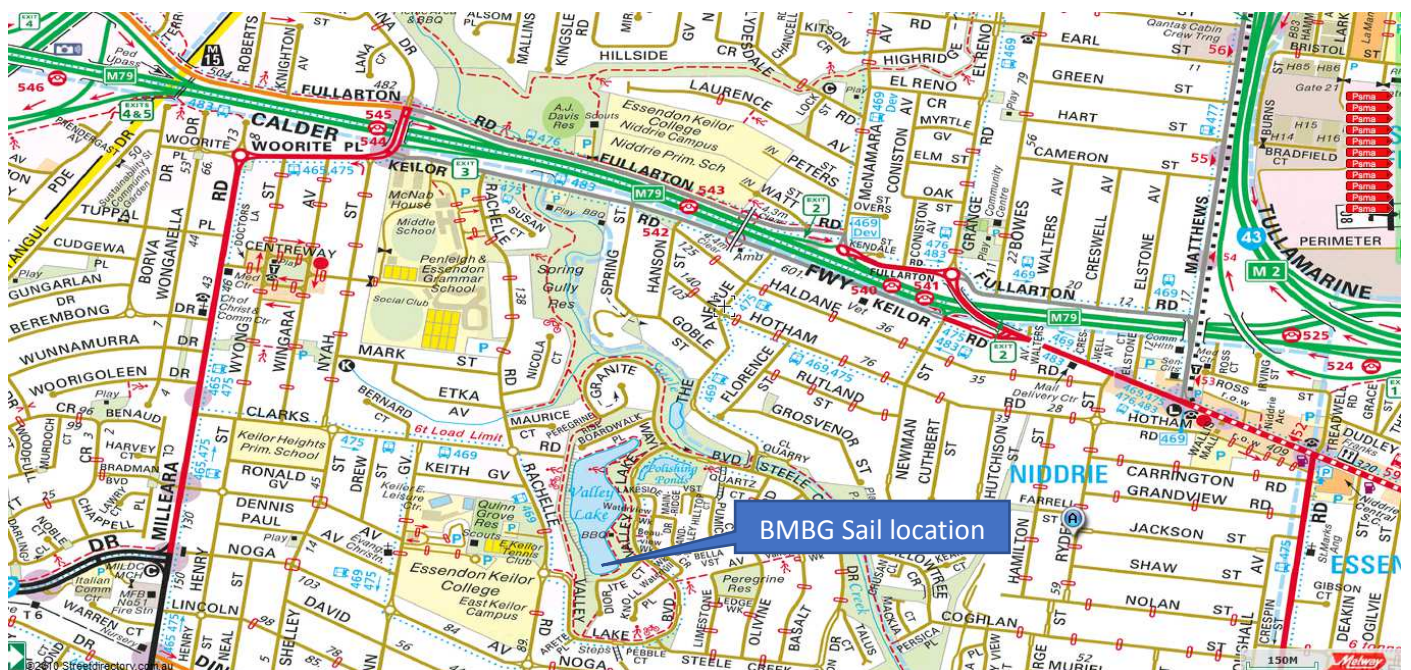
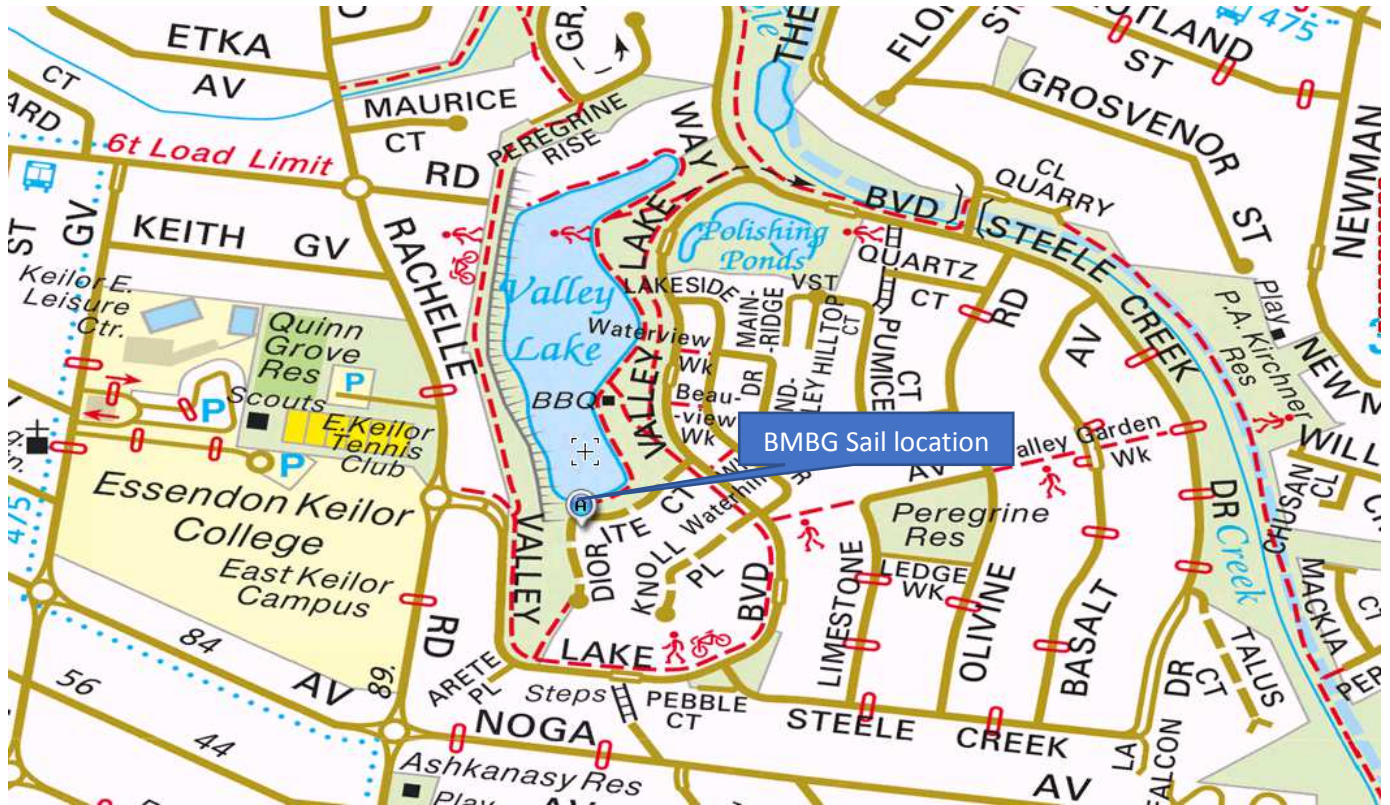




Bosuns Model Boat Group Sailing Location.

Where: Niddrie Lake. Opposite 17 Diorite Court, Keilor East, VIC 3033. VIC Melways map 15 H12.

When: 2nd and 4th Sundays of each month from 1.30pm.





BMBG Sail location



Launch location

Access gap

Launch location on southern edge of lake boardwalk.



Diorite Court car parking at southern edge of lake.

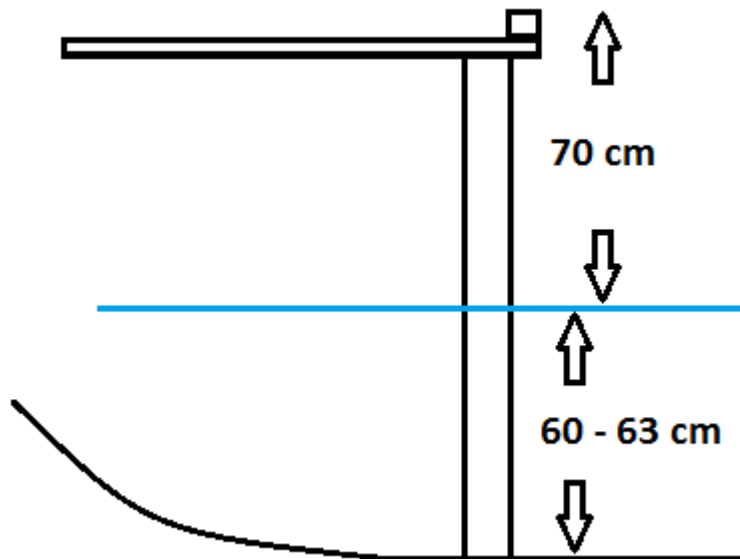


Looking west towards launch location on southern edge of lake boardwalk.



Looking north from southern edge of lake boardwalk.

Boardwalk Lake Depth



Water depth is constant at about 60 - 63 cm around entire lake edge.

Height from water level to top of boardwalk edge is about 70 cm.

A boat lift may be required for some models.



Northern View of Lake Contours after earthworks.